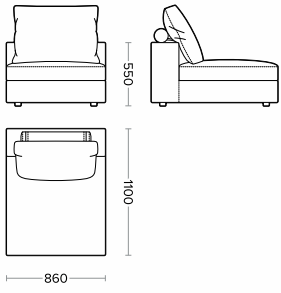
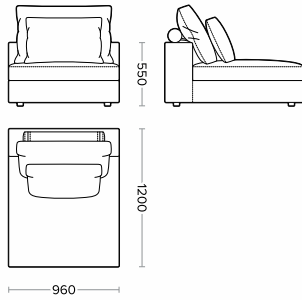


# ELEMENT

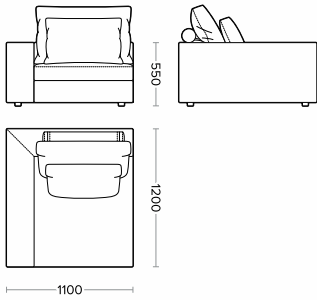
ELEMENT/1P/860/1100



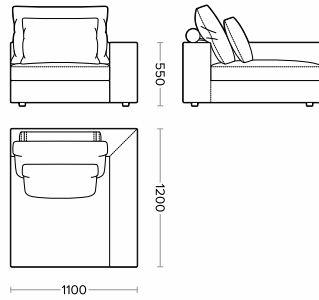
ELEMENT/1P/960/1200



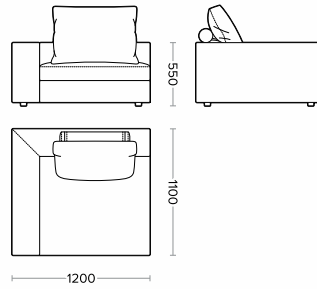
ELEMENT/C/RA/1100/1200



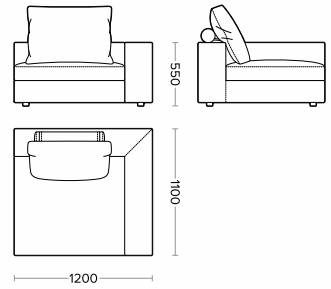
ELEMENT/C/LA/1100/1200



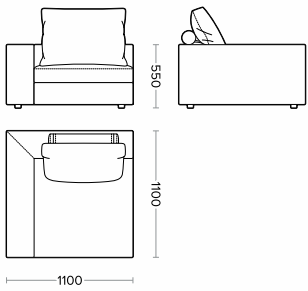
ELEMENT/C/RA/1200/1100



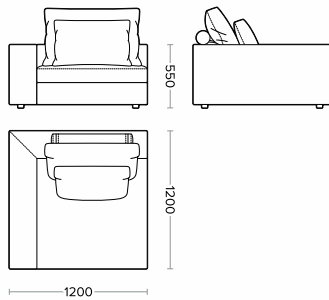
ELEMENT/C/LA/1200/1100



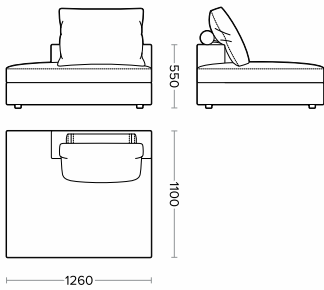
ELEMENT/C/1100/1100



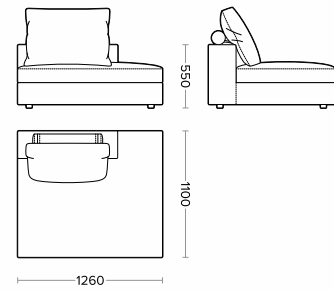
ELEMENT/C/1200/1200



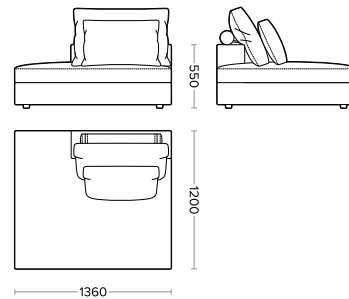
ELEMENT/PD/R/1260/1100



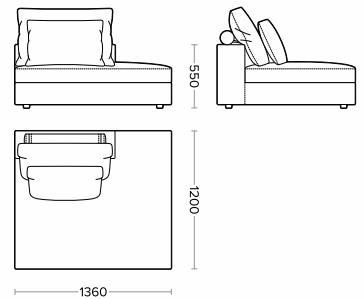
ELEMENT/PD/L/1260/1100



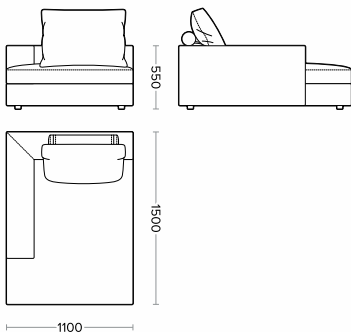
ELEMENT/PD/R/1360/1200



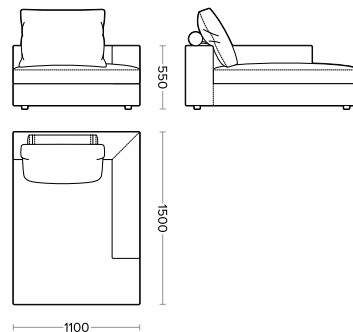
ELEMENT/PD/L/1360/1200



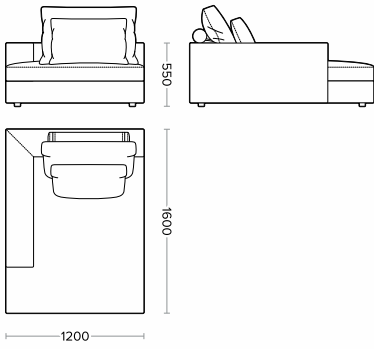
ELEMENT/PD/RA/1100/1500



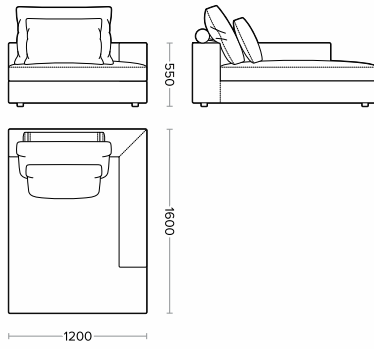
ELEMENT/PD/LA/1100/1500



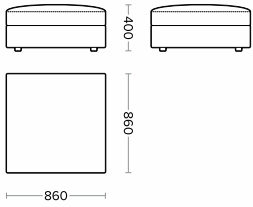
ELEMENT/PD/RA/1200/1600



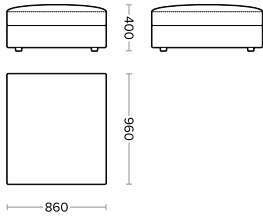
ELEMENT/PD/LA/1200/1600



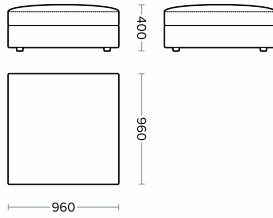
ELEMENT/P1/860/860



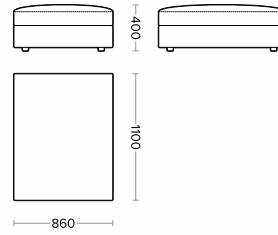
ELEMENT/P2/860/960



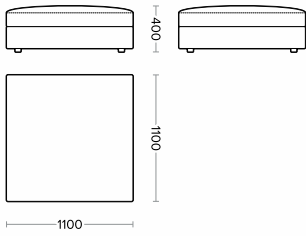
ELEMENT/P3/960/960



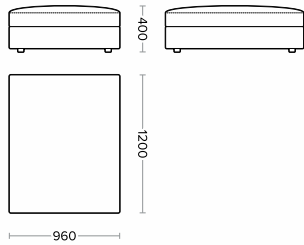
ELEMENT/P4/860/1100



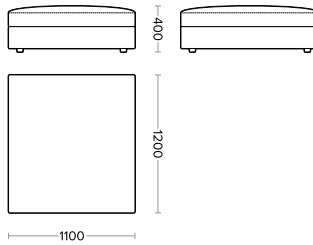
ELEMENT/P5/1100/1100



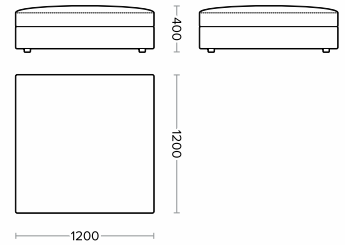
ELEMENT/P6/960/1200



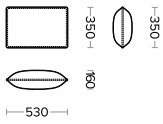
ELEMENT/P7/1100/1200



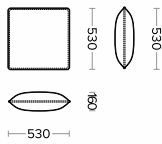
ELEMENT/P8/1200/1200



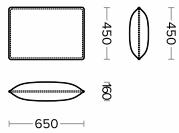
Pw1/530/350



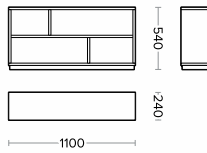
Pw2/530/530



Pw3/650/450



ELEMENT/AD/1100



ELEMENT/AD/1200

